

**M12 MALE 0° / M12 FEMALE 0° SHIELDED MASI**

PUR 2x1,0 shielded GRAY, drag ch 4.5m

## AS-Interface

The resistance to aggressive media should be individually tested for your application. Further details on request.  
Further cable lengths on request.

Male straight – female straight  
shielded

Male M12

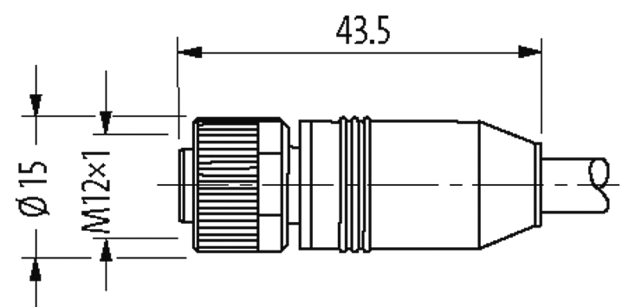
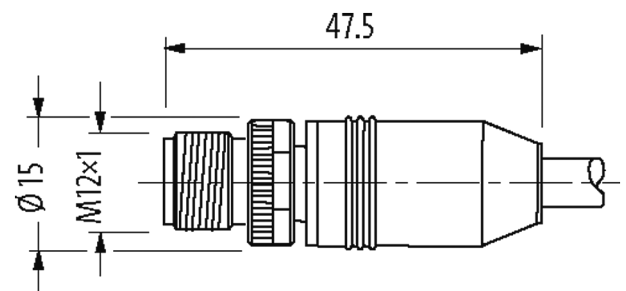
4-pole

2-pole used

Female M12

2-pole

Plastic housings with good resistance against chemicals and oils.

[Link to Product](#)**Illustration**

Product may differ from Image

**Approvals****More Info**

**Form**

Form 40485

**General data**

Standards DIN EN 61076-2-101 (M12)

Pollution Degree 3

Mounting method inserted, tightened

**Cables**

Cable number 542

No./diameter of wires 2x 1.0 mm<sup>2</sup>

Wire isolation PP (br, bl)

C-track properties 5 Mio.

Jacket Color gray

Material (jacket) PUR (UL/CSA)

Outer Ø 8.0 mm ±5%

Bend radius (moving) 15x outer Ø

Temperature range (fixed) -40...+80 °C

Temperature range (mobile) -25...+60 °C

Cable identification 542

Approval (cable) UL (AWM-Style 21198/10493), CSA

Cable weight [g/m] 82,50

Material (wire) Cu wire, bare

Resistor (core) max. 19.5 Ω/km (20 °C)

Single wire Ø (core) 0.15 mm

Construction (core) 55x 0.15 mm (multi-strand wire class 6)

Diameter (core) 2x 1.0 mm<sup>2</sup>

AWG similar to AWG 17

Material (wire isolation) PP

Material property (wire isolation) CFC-, halogen-, cadmium-, silicone- and lead-free

Shore hardness (wire isolation) 70 ±5 D

Wire-Ø incl. isolation 2.7 mm ±5%

Color/numbering of wires br, bl

Shield yes

min. 80%

Material (jacket) PUR

Material property (jacket) CFC-, halogen-, cadmium-, silicone- and lead-free, matt, low-adhesion, machine easy to process, abrasion-resistant, hydrolysis and microbial resistant

Shore hardness (jacket) 90 ±5 A

Outer-Ø (jacket) 8.0 mm ±5%

Color (jacket) gray

chemical resistance good resistance to oil, gasoline and chemicals (VDE 0472 Teil 803 Test B)

thermal resistance flame retardant UL, CSA FT2 / IEC 60332-2-2

Nominal voltage 300 V AC

Test voltage 2000 V AC

Current load capacity to DIN VDE 0298-4

Temperature range (fixed)	-40...+80 °C
Temperature range (mobile)	-25...+60 °C
Bend radius (fixed)	10× outer Ø
Bend radius (moving)	15× outer Ø
No. of bending cycles (C-track)	max. 5 Mio. (25 °C)
Traversing distance (C-track)	max. 5 m (horizontal)
Travel speed (C-track)	max. 2 m/s
Acceleration (C-track)	max. 5 m/s <sup>2</sup>
Torsion stress	±90 °/m
No. of torsion cycles	max. 5 Mio.
Torsion speed	35 cycles/min

#### Technical Data

Operating voltage	max. 60 V AC/DC
Rated surge voltage	0.8 kV
Operating current per contact	max. 4 A
Material group	IEC 60664-1, category I
Coding	A-coded
LED display	no
Locking of ports	Screw thread (M12×1 mm) recommended torque 0.6 Nm, self-securing
Compression gland	M12 (SW13)
Protection	IP67, IP68 inserted and tightened (EN 60529)
Material	PUR
Locking material	Zinc die casting, matte nickel plated

#### Commercial data

country of origin	DE
customs tariff number	85444290
EAN	4048879433938
eClass	27279218
Packaging unit	1